

## FL-TGD-BF



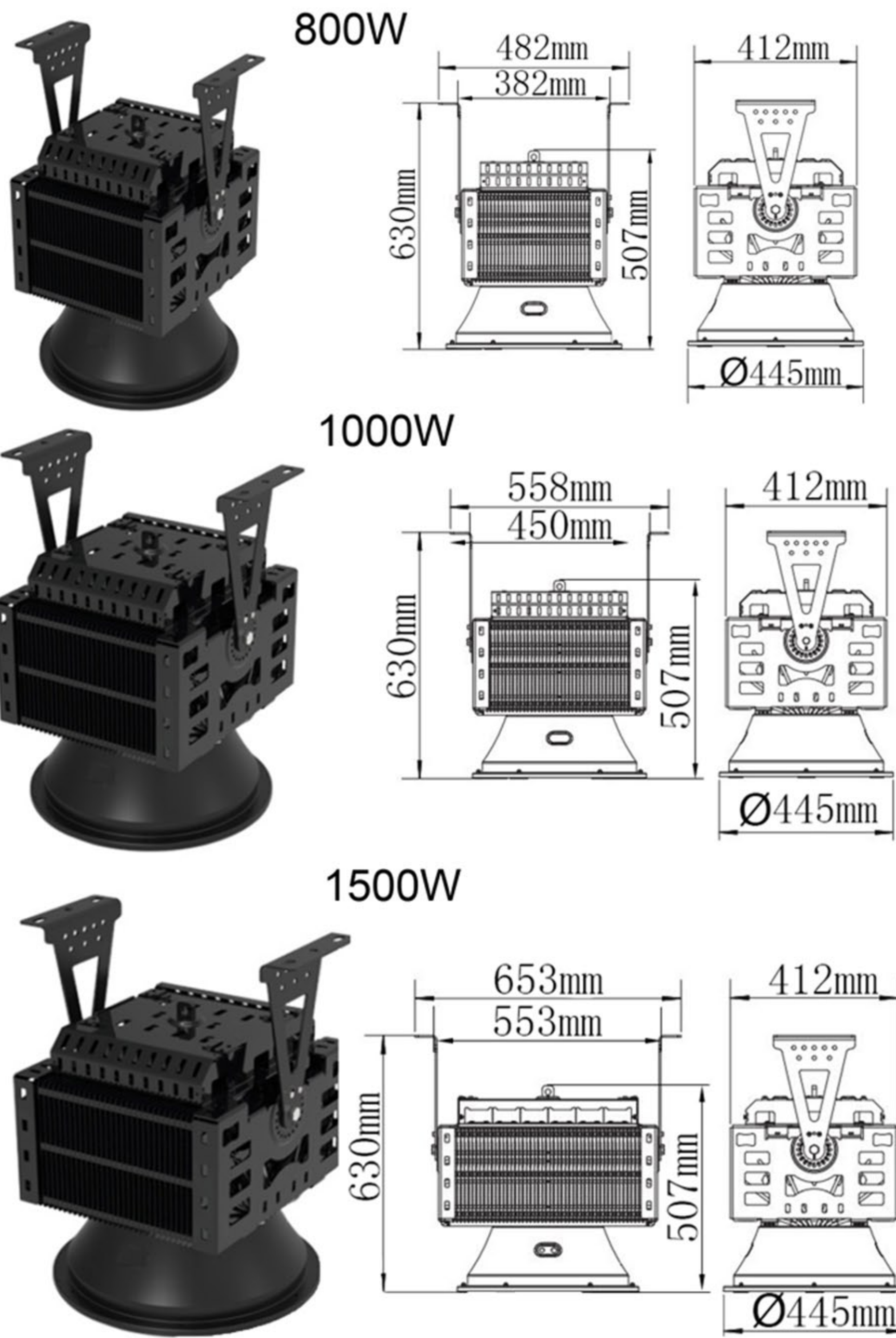
1. Professional projection lamp design, high power, long projection distance, high brightness, Long life, suitable for all kinds of harsh outdoor use.
2. Made of high-end thick fin aluminum technology, the fins are hollowed with heat dissipation holes,
3. The left and right air passages form the air duct to achieve the maximum heat dissipation effect. The built-in high-purity reflector is anodized and polished to effectively suppress glare and external light. It has a variety of angle reflectors to meet the needs of different places.

### PRODUCT ELECTRONIC PARAMETERS

POWER	800W	1000W	1500W
LED quantity	1248	1248	1440

DH	3030
Chip brand	Philips/Osram/Cree
Input voltage	AC90-305V
Power Brand	Philips /Inventronics
Beam angle	45°×60°
Color temperature	3000-6500K
PFC	≥0.9
CRI	≥70
waterproof level	IP65
Operating temperature	-30°C ~+60°C
Light body material	Aluminum and PC
Warranty	3-5 years
Lighting effect	110-130m/w

### PRODUCT SIZE

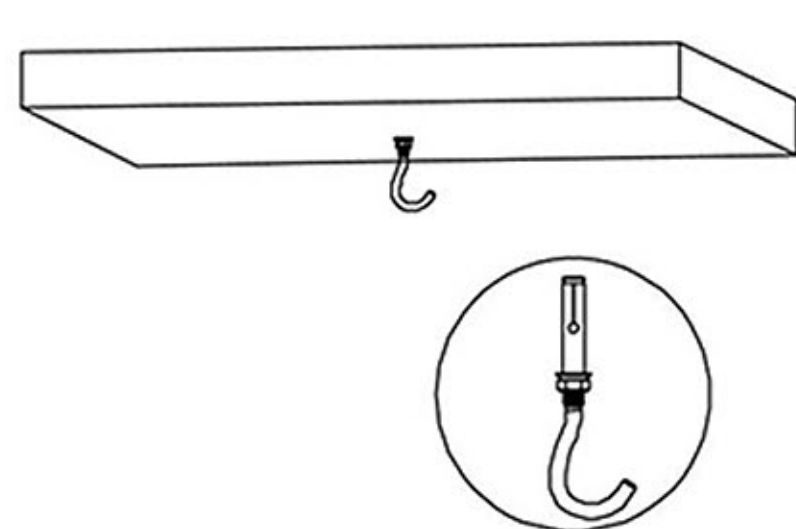


### PACKAGE DIMENSIONS

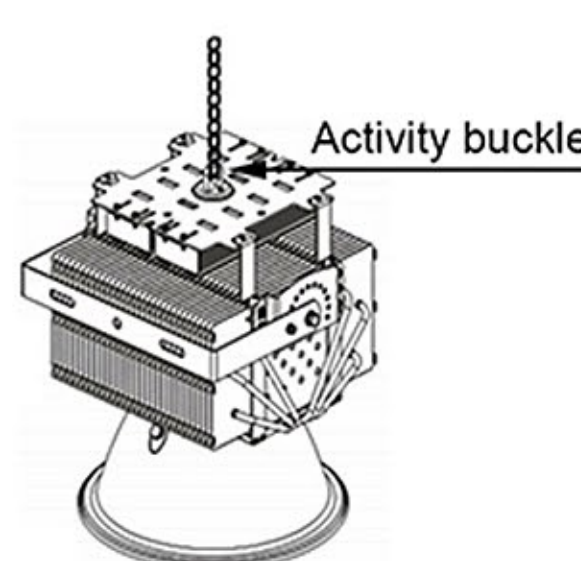


POWER	SIZE
800W	524*542*567mm
1000W	624*542*567mm
1500W	712*542*567mm

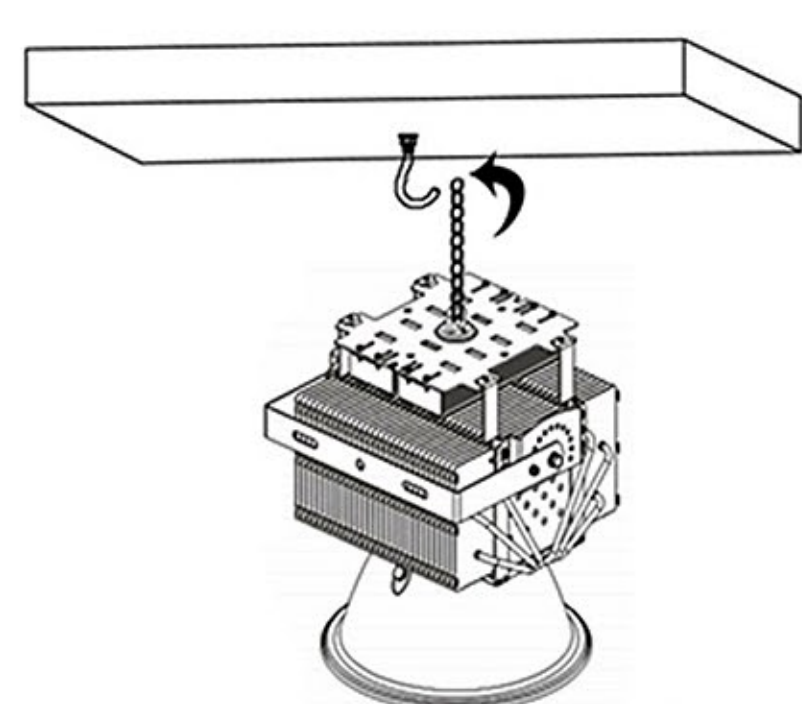
### INSTALLATION METHOD



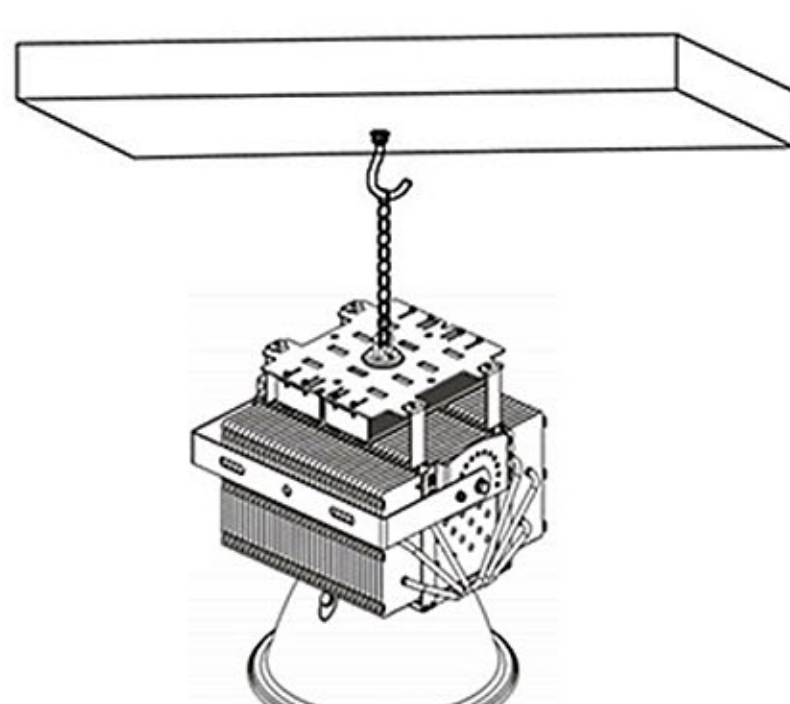
**Step 1:**  
Drill suitable holes in the ceiling and install hooks with anchors.



**Step 2:**  
Choose the right chain length, buckle and buckle.

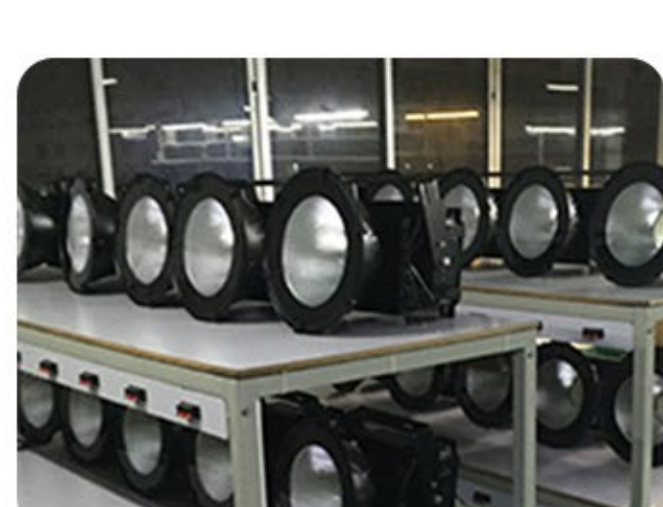


**Step 3:**  
Hang the other end of the hook on the hook, adjust and keep the lamp body Niche in balance.



**Step 4:**  
The installation is complete.

### Product in stock



MASS PRODUCTION



PRODUCT AGING



PRODUCT APPLICATION  
REAL SHOT