

LED GAS STATION LIGHT

Led gas station Light Refined material, carefully polished, beautiful appearance, ultra-thin design, lamp body thickness of 4.65cm. Modules design heatsink, better heat dissipation. Removable module design for facilitate maintenance.

The back of the lamp body is completely sealed, with professional waterproof screws, truly waterproof and dustproof, suitable for a variety of environments.

Widely used in gas stations, tunnels, airports, parking lots, toll booths, indoor garages and so on.



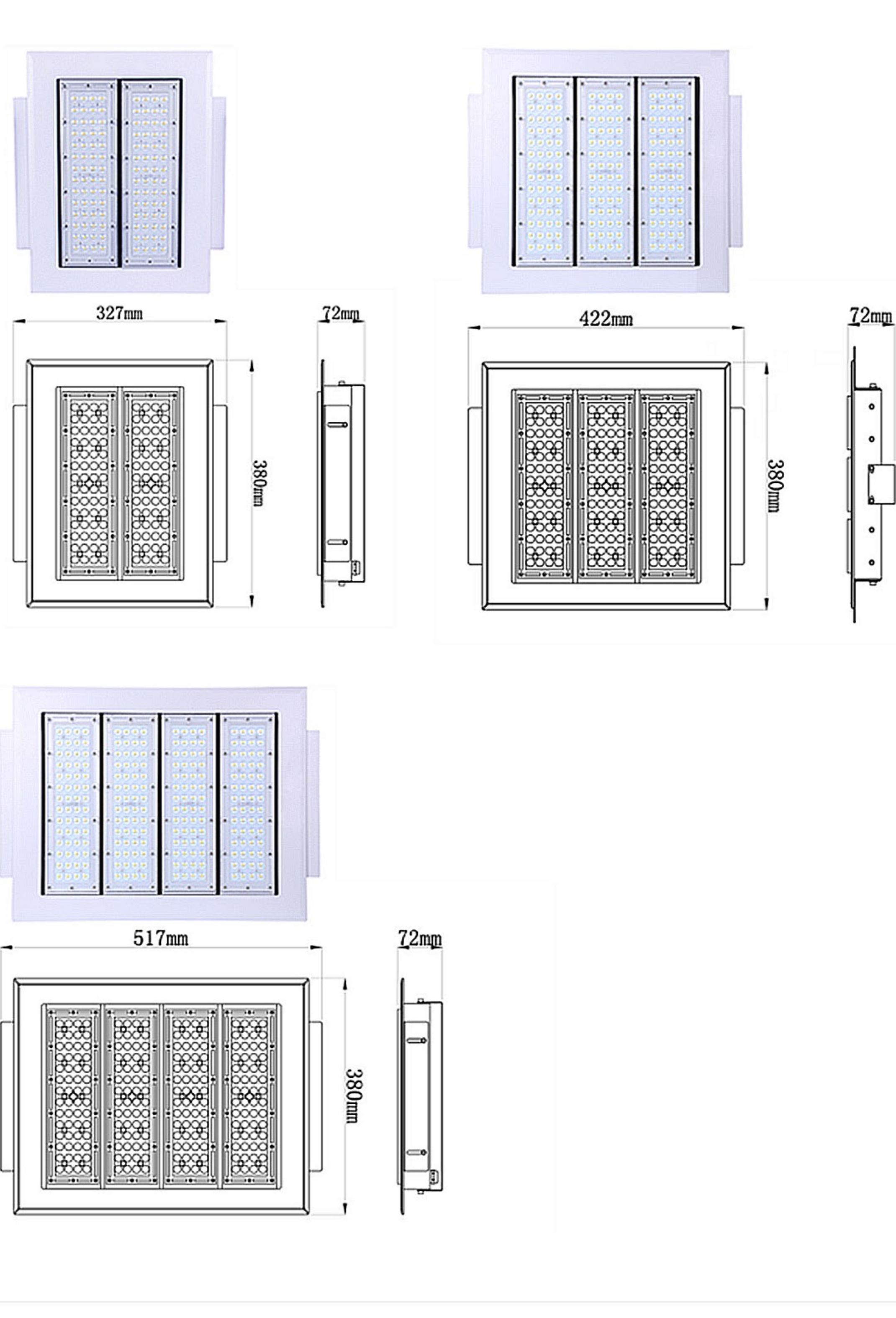
PRODUCT ELECTRONIC PARAMETERS

Product	Power	LED Quantity
FL-YZD-KM3-2	60W、80W、100W	112
FL-YZD-KM3-3	90W、120W、150W	168
FL-YZD-KM3-4	120W、150W、200W	224

Chip model	3030
Chip brand	Philips/Osram/Cree
Input voltage	AC100-305V
Driver brand	Meanwell and Inventronics
Beam angle	90°、70°×100°、60°×135°
Color temperature	3000-6500K
PFC	≥0.9
CRI	≥70
Protection level	IP65
Operating temperature	-30°C ~+60°C
Lamp body material	Aluminum and PC
Warranty	3-5 years
Luminaire efficacy	130-150lm/w

PRODUCT SIZE

Unit: mm



PACKAGE DIMENSIONS



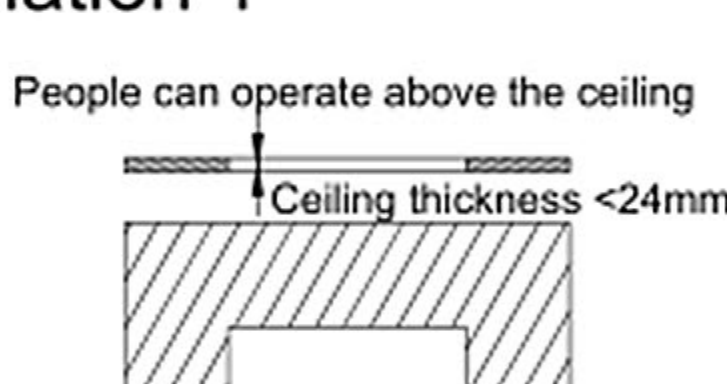
MODULE	SIZE	NET WEIGHT
2	45*38*16cm	5.3kg
3	45*47*16cm	6.7kg
4	46*58*16cm	7.4kg

PRODUCT INSTALLATION

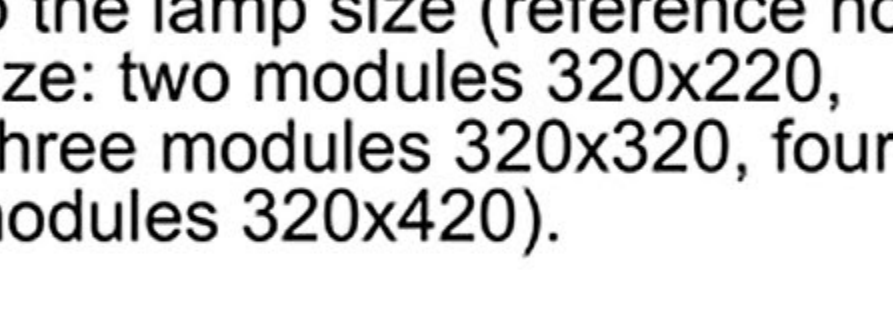
LABELING UNIT: MM

The following installation steps are for reference only, please install according to the actual situation.

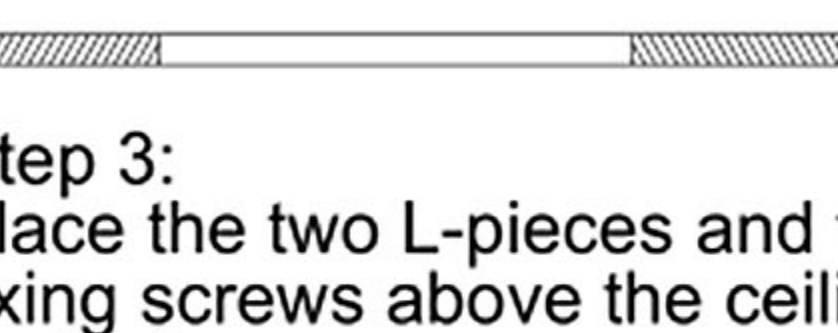
Installation 1



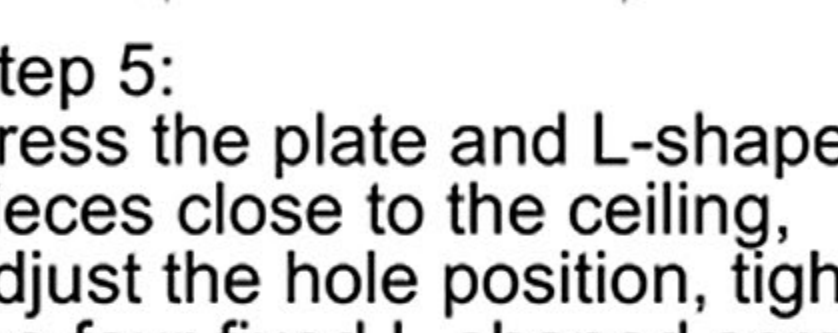
Step 1: Cut the ceiling hole according to the lamp size (reference hole size: two modules 320x220, Three modules 320x320, four modules 320x420).



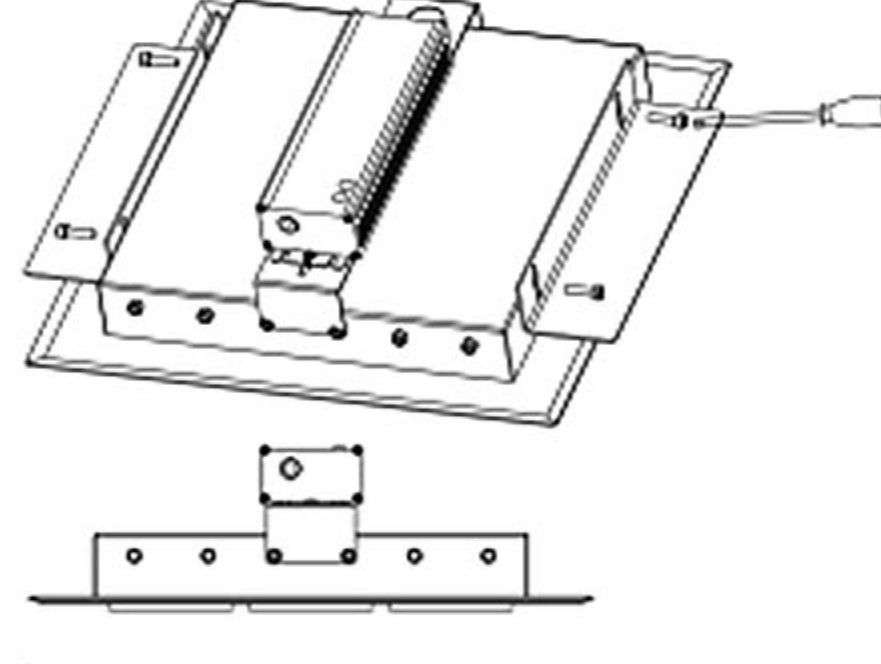
Step 3: Place the two L-pieces and the fixing screws above the ceiling for further use.



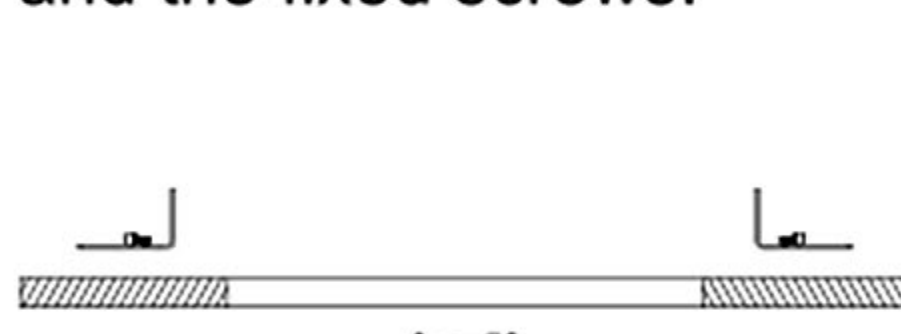
Step 5: Press the plate and L-shaped pieces close to the ceiling, adjust the hole position, tighten the four fixed L-shaped screw.



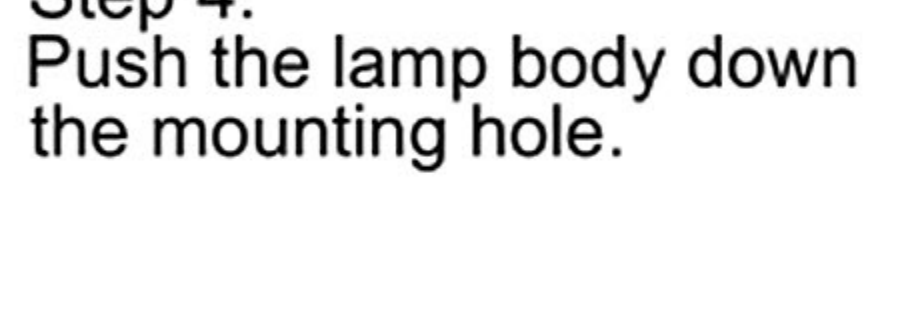
Step 6: Installation completed.



Step 2: Loosen the four screws of the two L-shaped piece, remove the two L-pieces and the fixed screws.

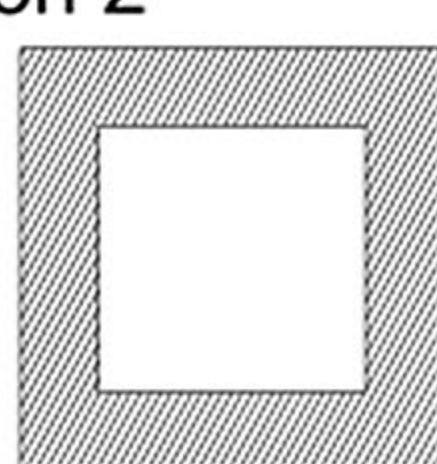


Step 4: Push the lamp body down the mounting hole.

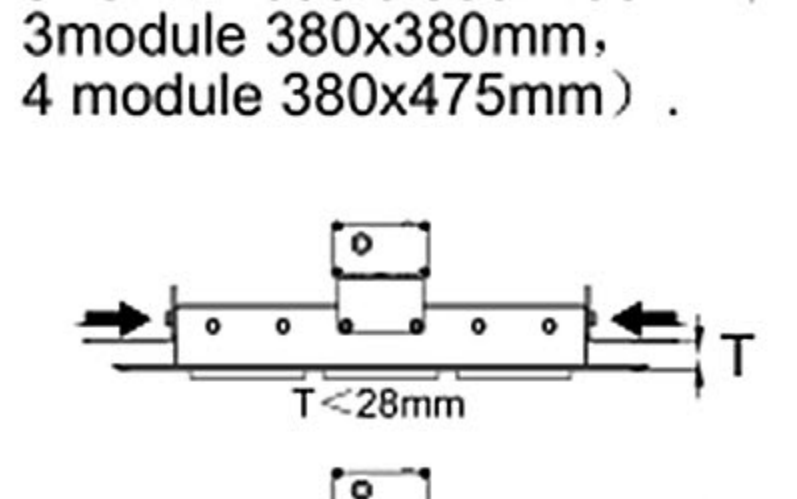


Step 6: Installation completed.

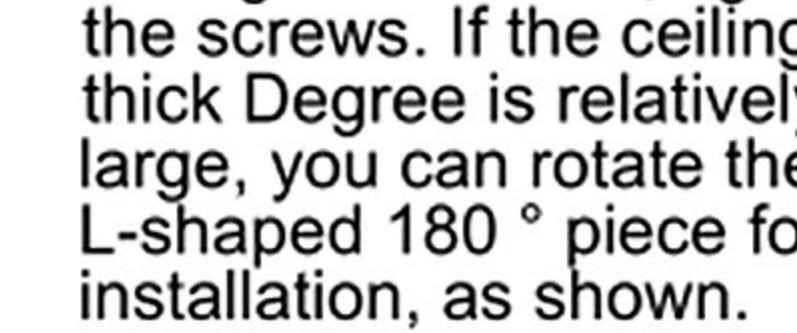
Installation 2



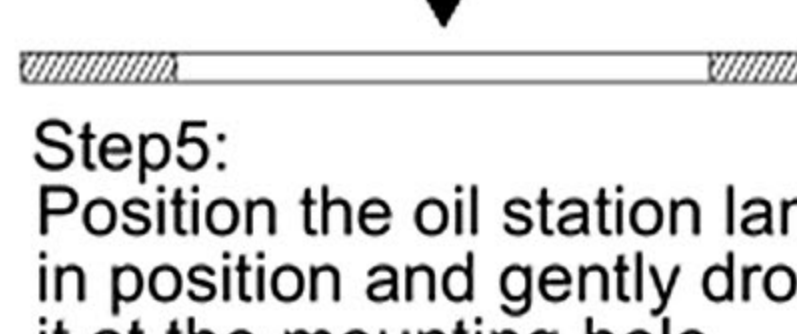
Step1: Measure the thickness of the ceiling T and give the ceiling aperture according to the lamp size of the oil station (cutout size: 2 module 380x285mm, 3module 380x380mm, 4 module 380x475mm).



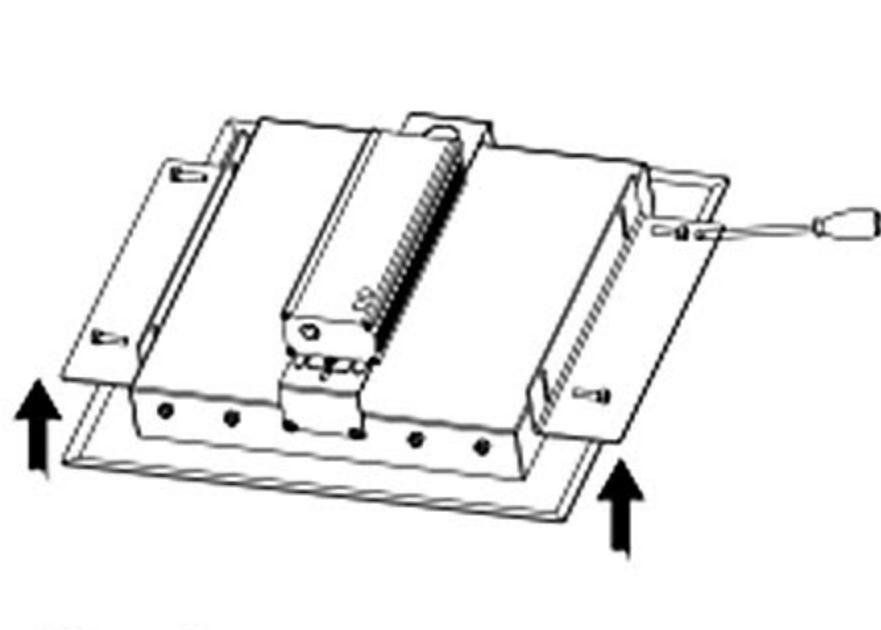
Step3: Adjust the height to the ceiling thickness T, tighten the screws. If the ceiling is thick Degree is relatively large, you can rotate the L-shaped 180° piece for installation, as shown.



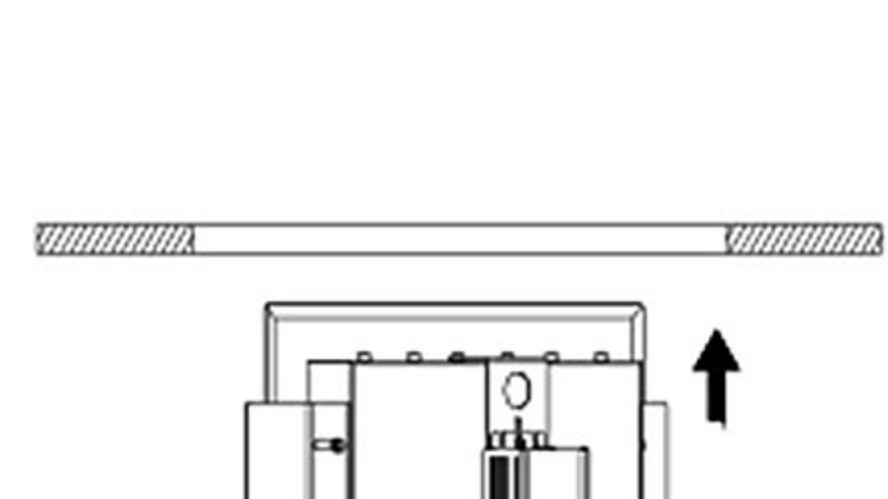
Step5: Position the oil station lamp in position and gently drop it at the mounting hole.



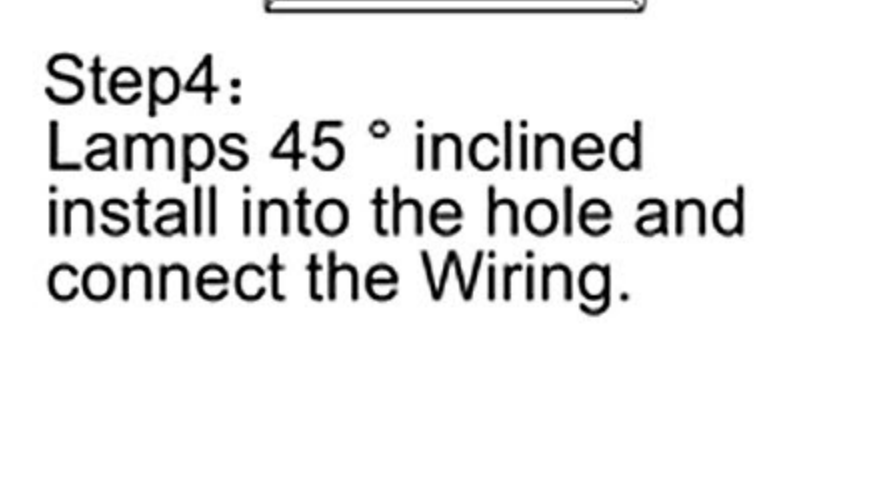
Step6: Installation completed.



Step2: Loosen the 4 screws of the 2 L parts and pull the L parts upward.



Step4: Lamps 45° inclined install into the hole and connect the Wiring.

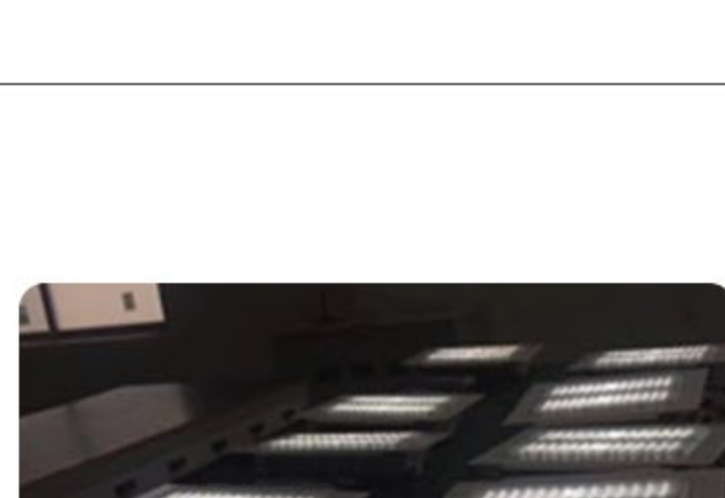


Step6: Installation completed.

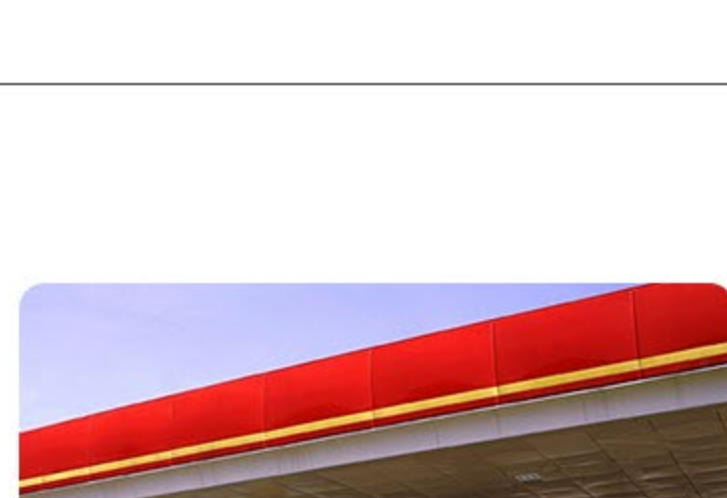
Product in stock



PRODUCT MASS PRODUCTION



PRODUCT AGING



PRODUCT LOCATION REAL SHOT